

DATE: 05/04/06
FILE: GLT
SCALE: N.T.S.

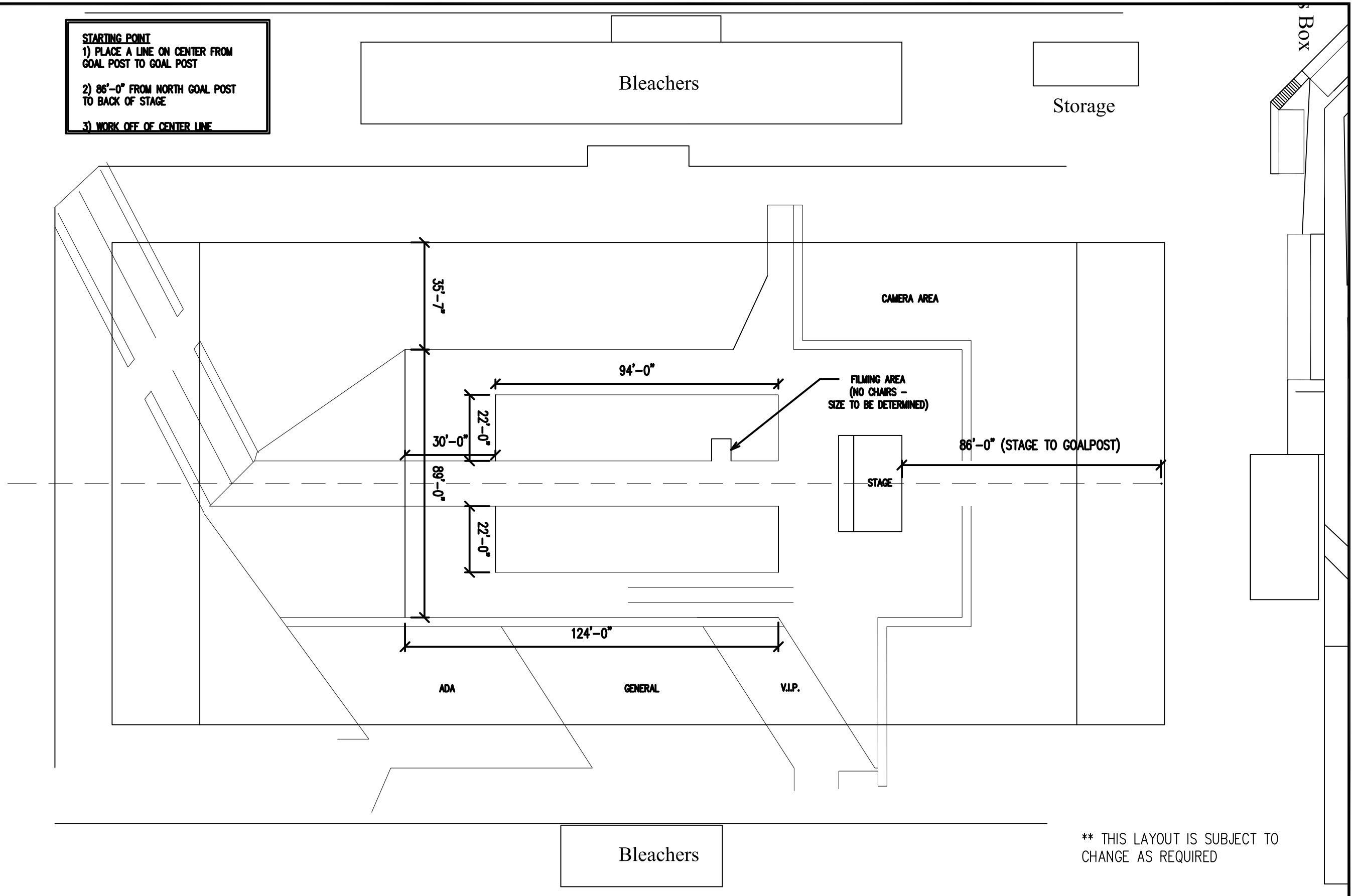
GRADUATION LAYOUT AND SEAT COUNTS - CURRIER FIELD

PHYSICAL PLANT
PLYMOUTH STATE UNIVERSITY - PLYMOUTH, NH

SHEET

PSU-1

STARTING POINT
 1) PLACE A LINE ON CENTER FROM GOAL POST TO GOAL POST
 2) 86'-0" FROM NORTH GOAL POST TO BACK OF STAGE
 3) WORK OFF OF CENTER LINE



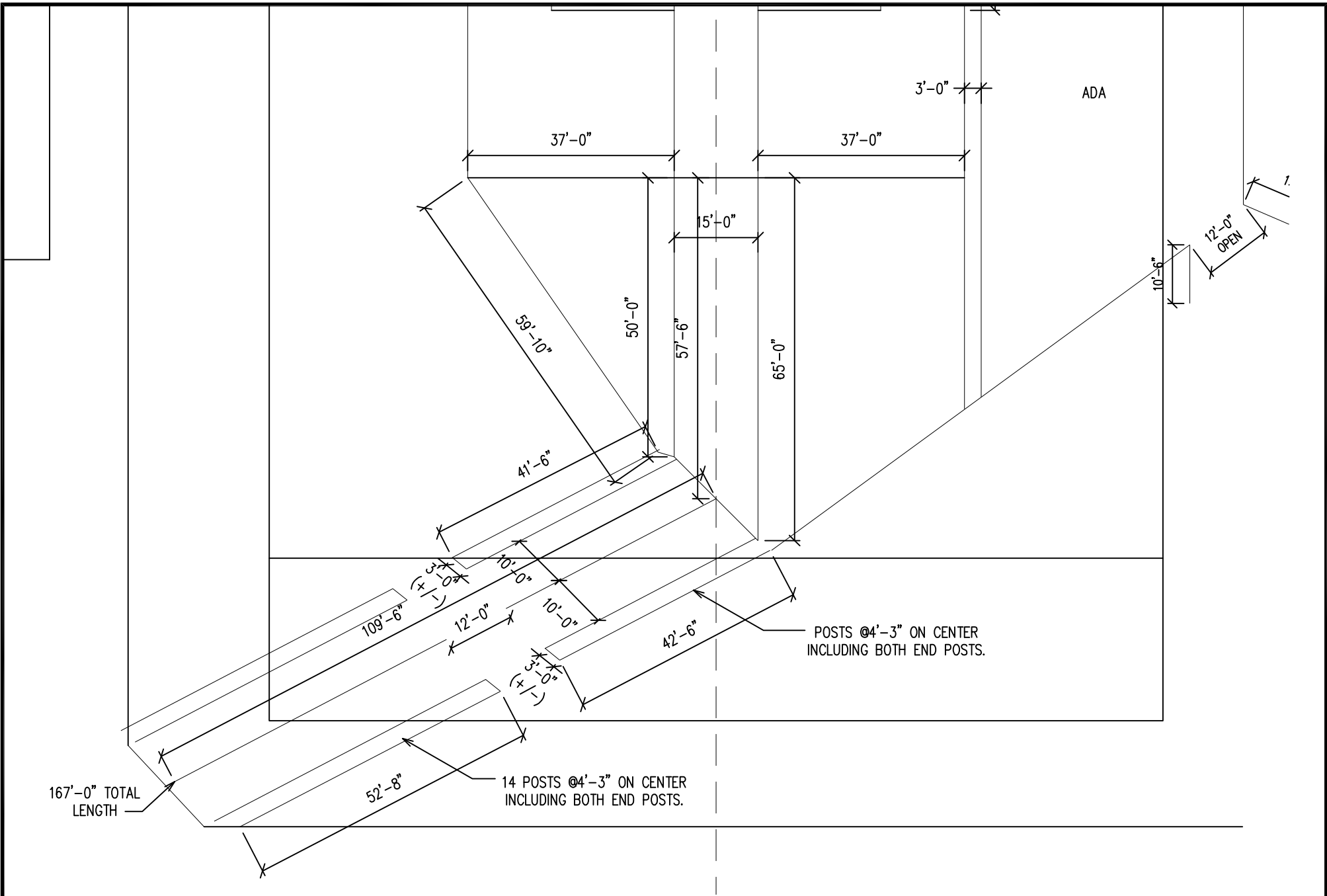
** THIS LAYOUT IS SUBJECT TO CHANGE AS REQUIRED

DATE: 05/04/04
 REV:
 SCALE: 1/32"=1'-0"

GRADUATION SETUP PLAN 2004

PHYSICAL PLANT
 PLYMOUTH STATE UNIVERSITY - PLYMOUTH, NH

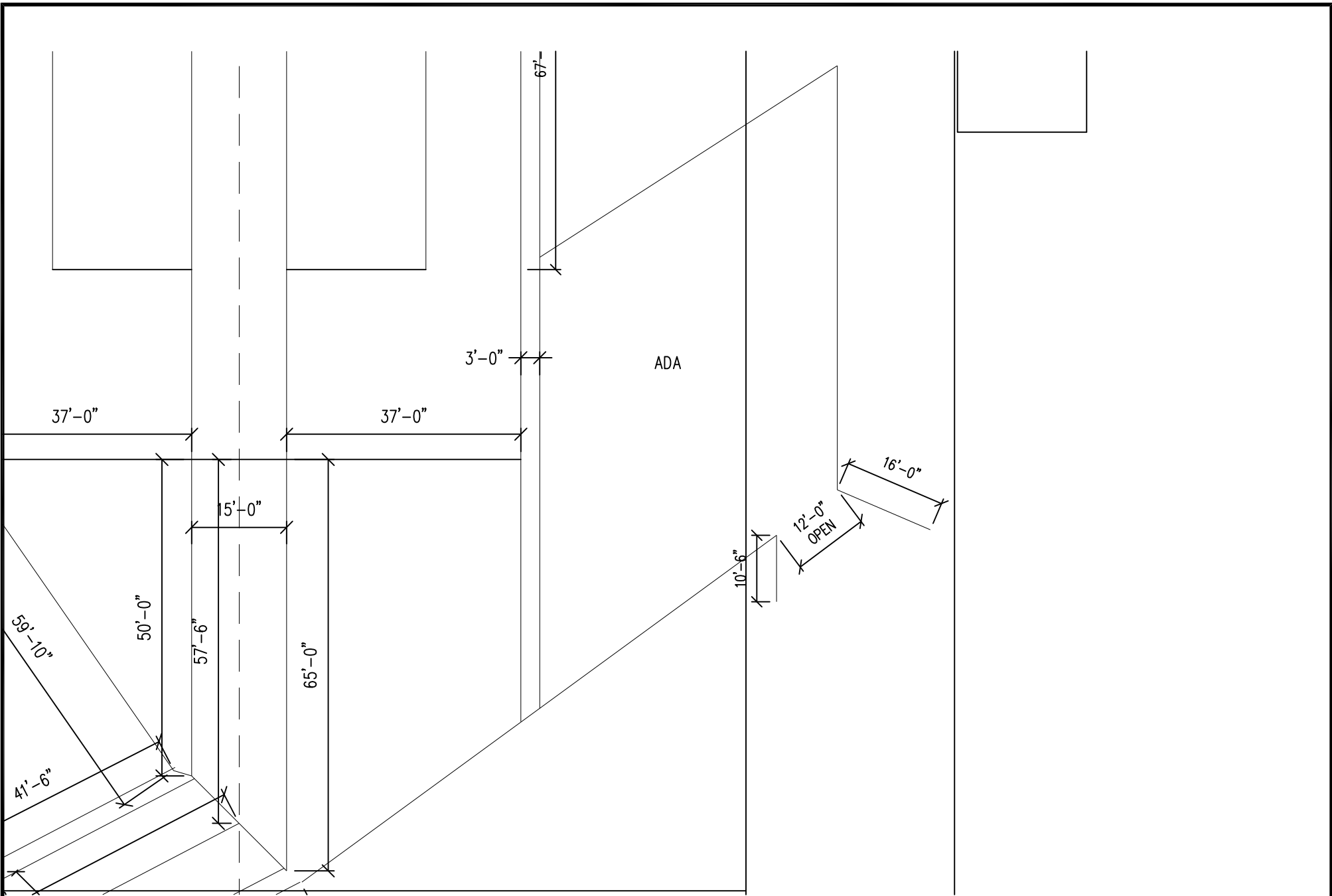
SHEET
 PSU-2



DATE: 05/06/04
FILE: GLT
SCALE: N.T.S.

CHUTE LAYOUT
PHYSICAL PLANT
 PLYMOUTH STATE UNIVERSITY - PLYMOUTH, NH

SHEET
PSU-3



DATE: 05/06/04	ADA AREA		SHEET
FILE: GLT SCALE: N.T.S.	PHYSICAL PLANT PLYMOUTH STATE UNIVERSITY - PLYMOUTH, NH		PSU-6